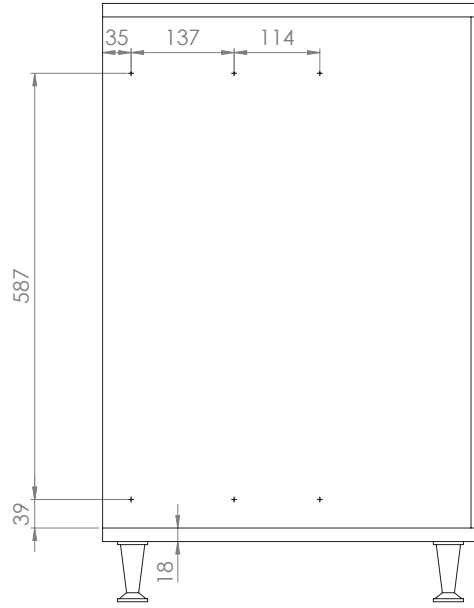
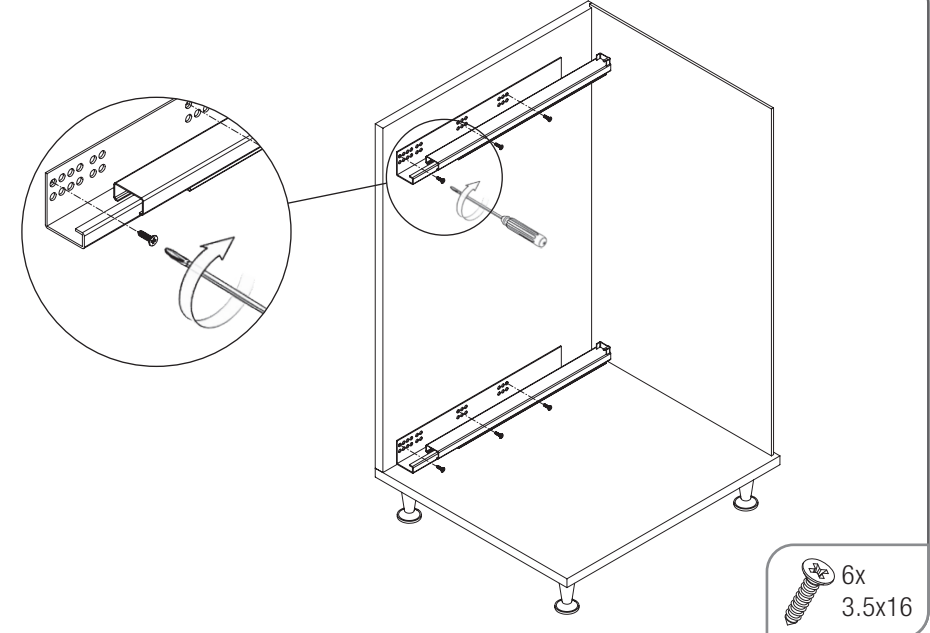


- YANDAN GİZLİ RAYLI ÜNİTE (90 DERECE) MONTAJ ŞEMASI (SAĞ)
- UNIT WITH SIDE UNDERMOUNT RAIL (90 DEGREES) MOUNTING INSTRUCTIONS (RIGHT)

A-1

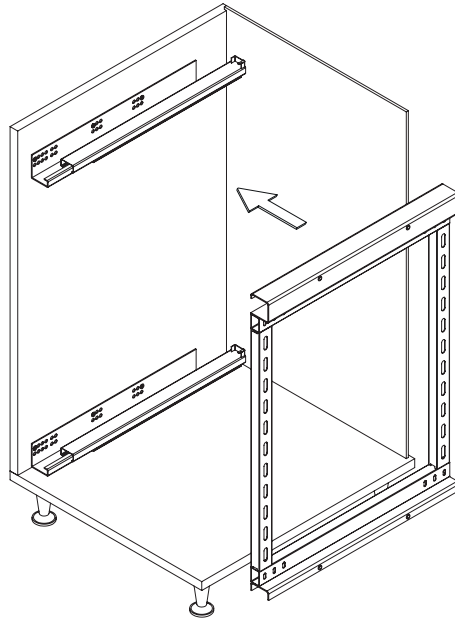


B-1

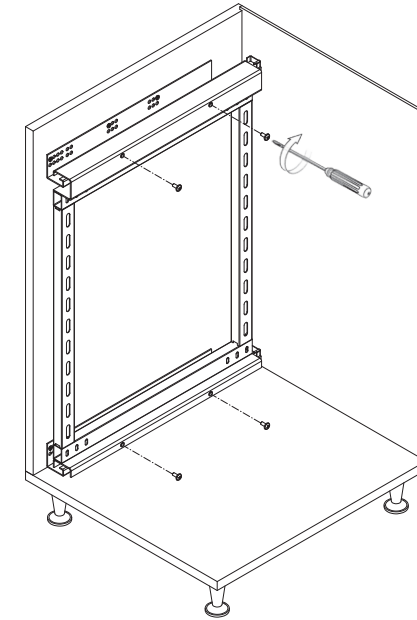


6x
3.5x16

C-1

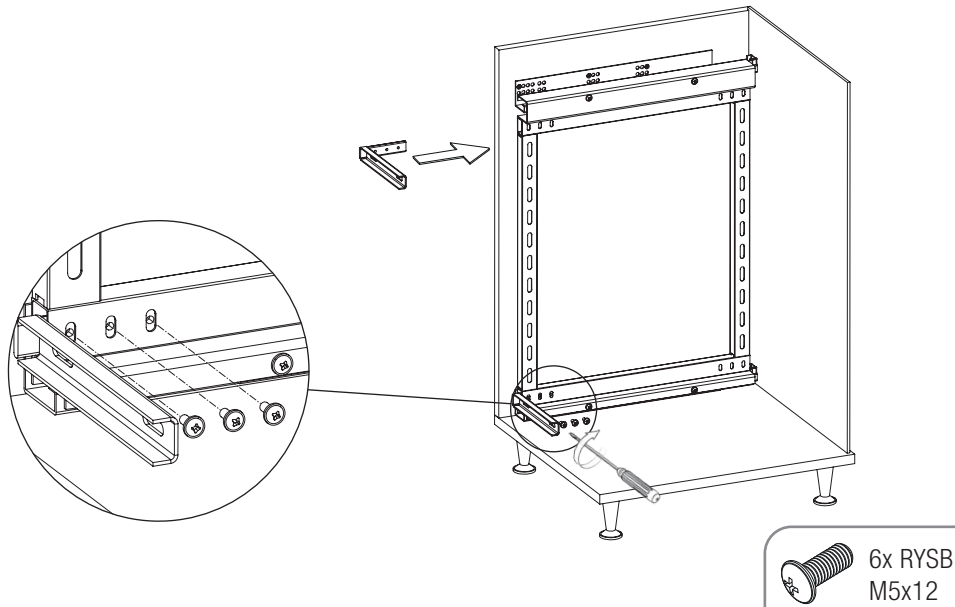


C-2



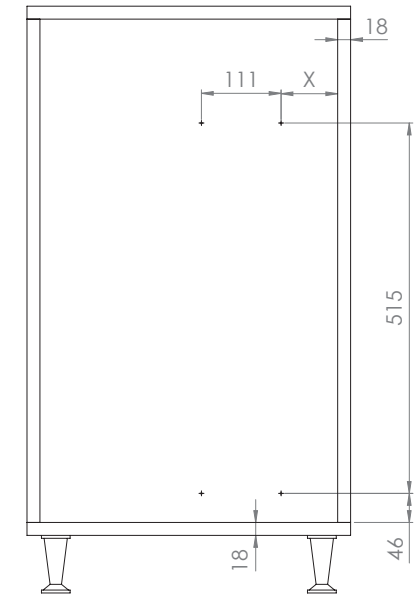
4x RYSB
M5x12

D-1

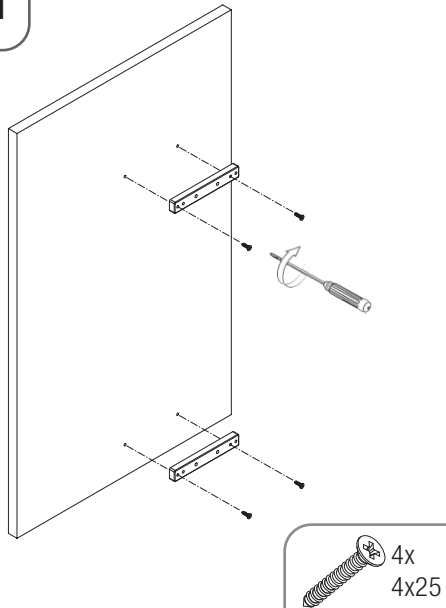


E-1

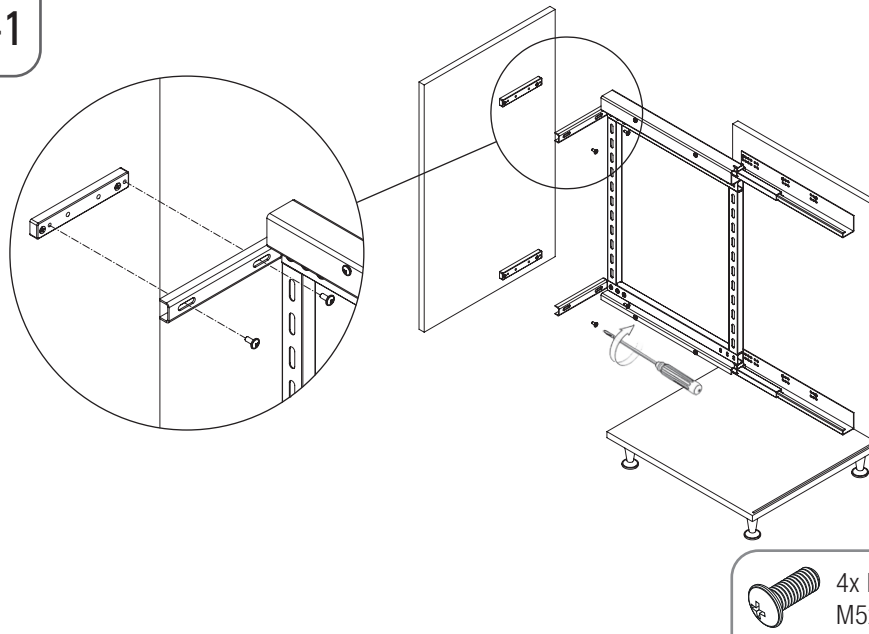
C	X
250	79
300	79
350	119
400	119
450	119



F-1



G-1



H-1

