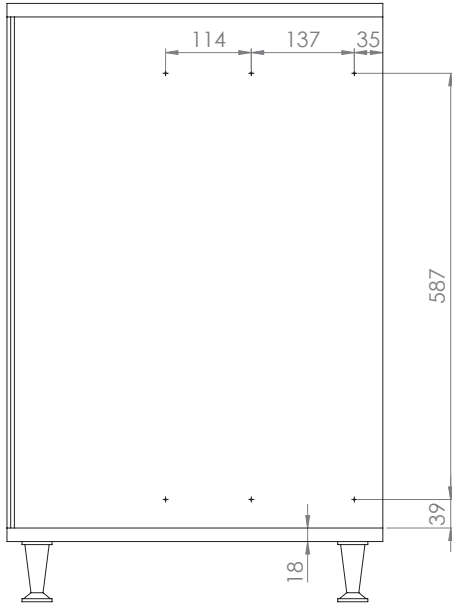

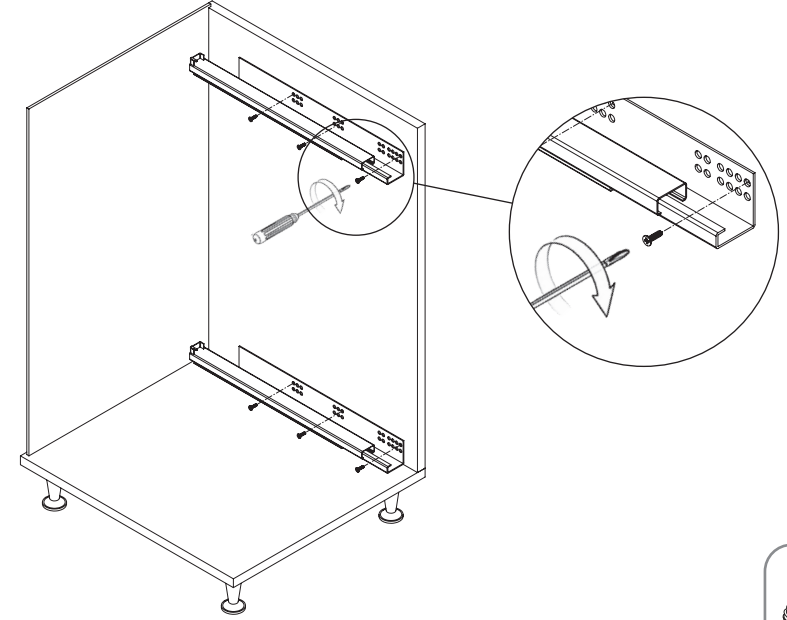


- YANDAN GİZLİ RAYLI ÜNİTE (90 DERECE) MONTAJ ŞEMASI (SOL)
- UNIT WITH SIDE UNDERMOUNT RAIL (90 DEGREES) MOUNTING INSTRUCTIONS (LEFT)

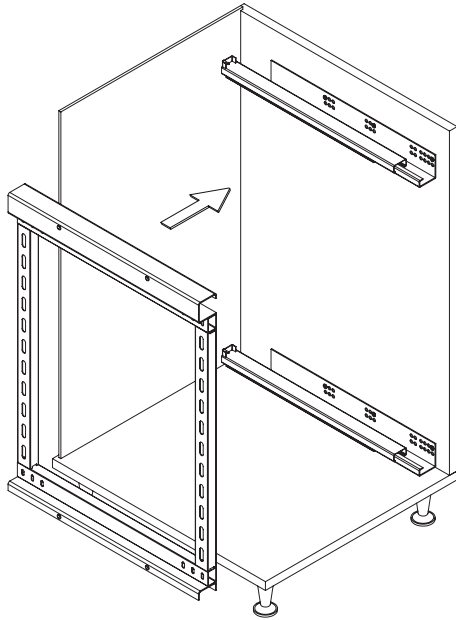
A-1



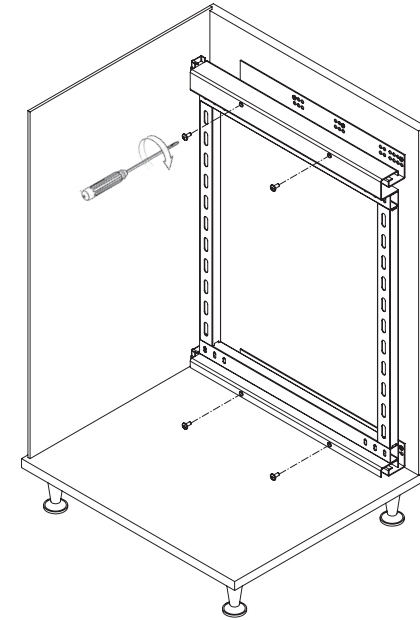
B-1

 6x
3.5x16

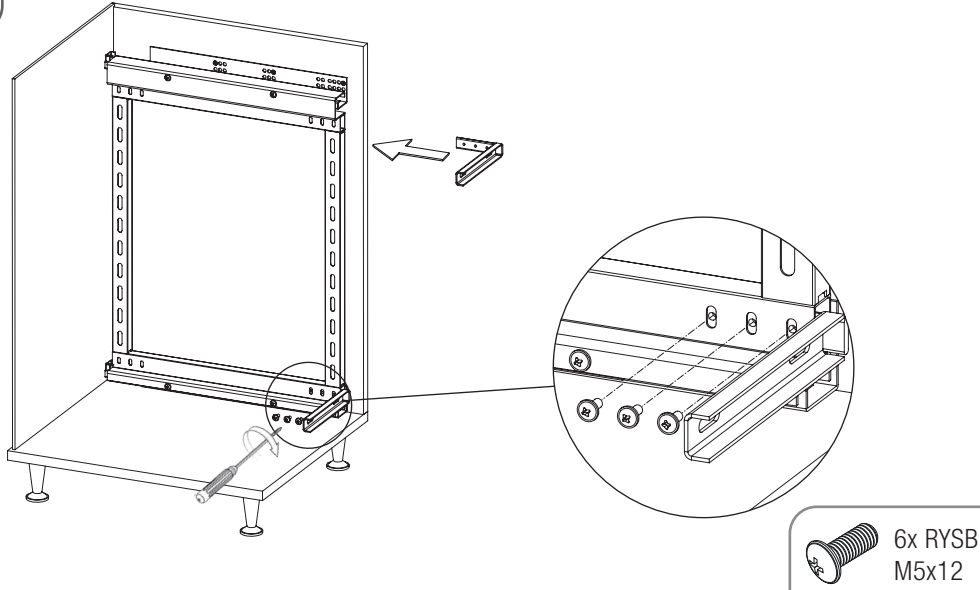
C-1



C-2

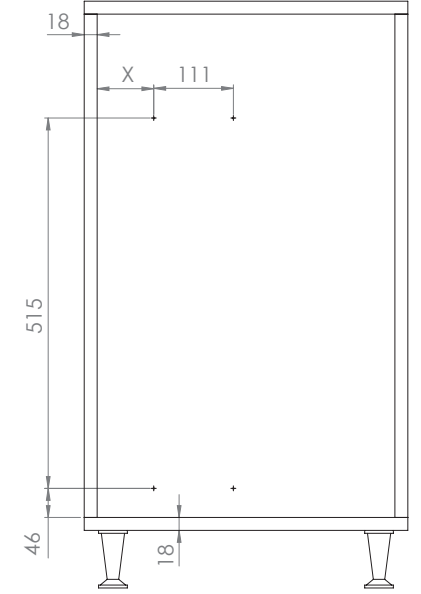
 4x RYSB
M5x12

D-1

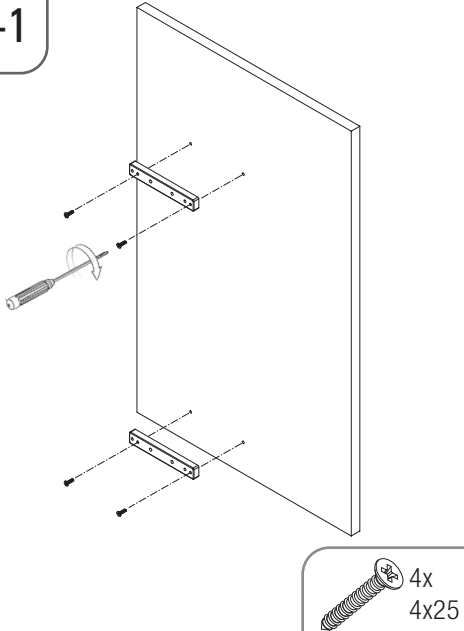


E-1

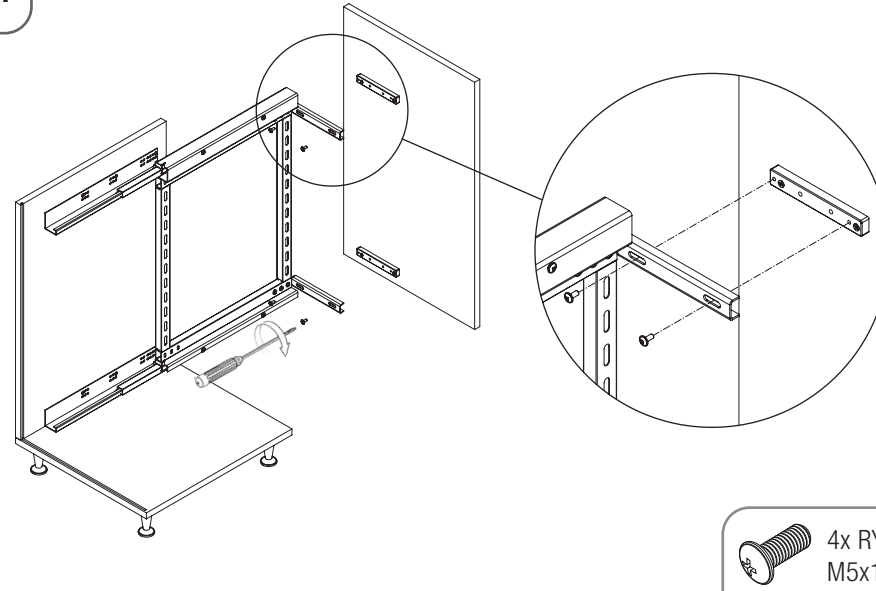
C	X
250	79
300	79
350	119
400	119
450	119



F-1



G-1



H-1

