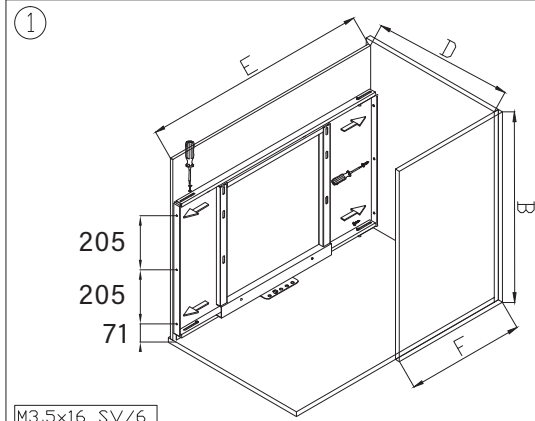


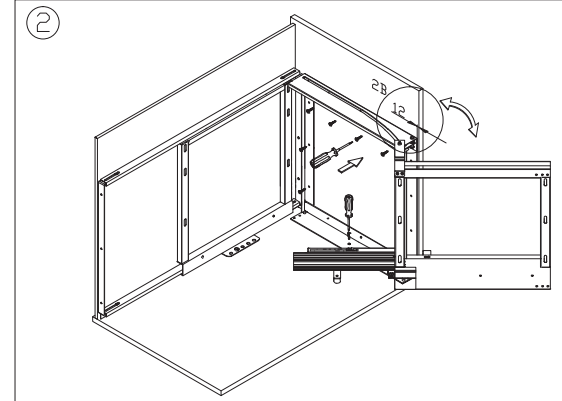
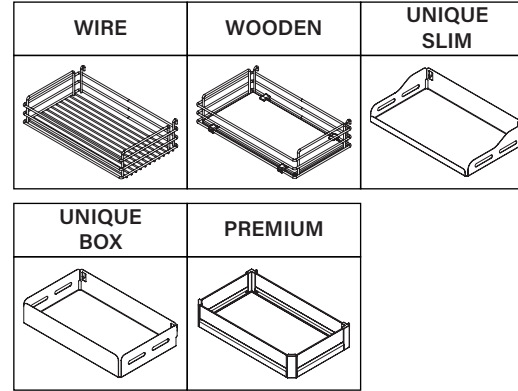
- KAPAĞA MONTE KÖRKÖŞE MEKANİZMASI MONTAJ ŞEMASI
- SECRET CORNER MECHANISM MOUNTED TO LID MOUNTING INSTRUCTIONS

(SAĞ)
(RIGHT)

STARAX®

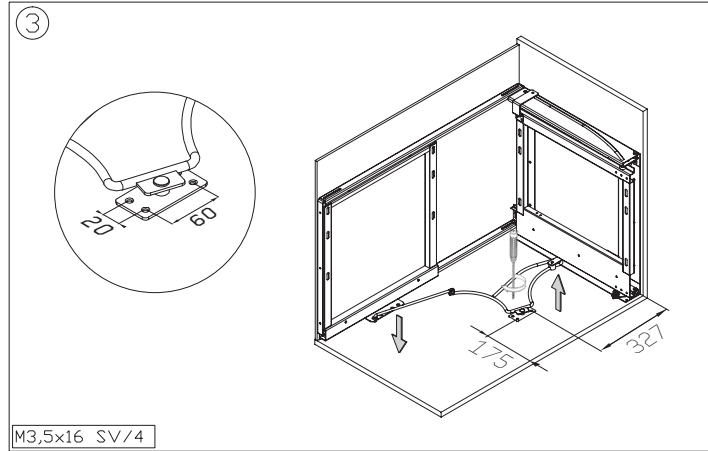
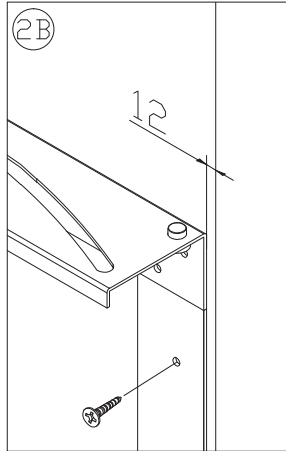
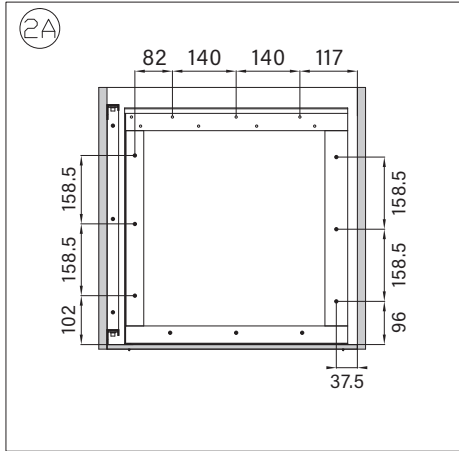


S-3001	S-3071
S-3002	S-3072
B Min:700	Min:700
D Min:530	Min:530
E 860-965	860-965
F 450	500

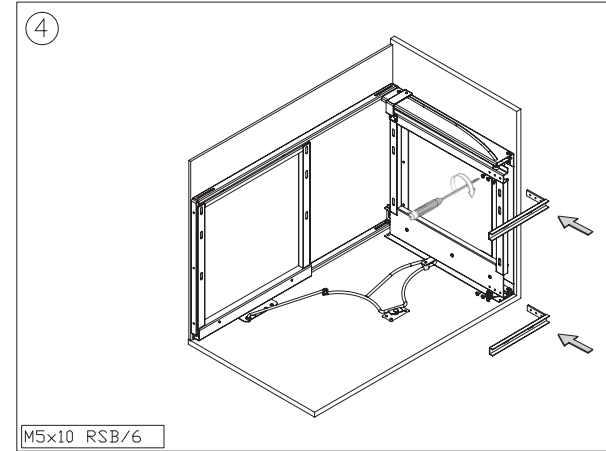


M3,5x16 SV/6

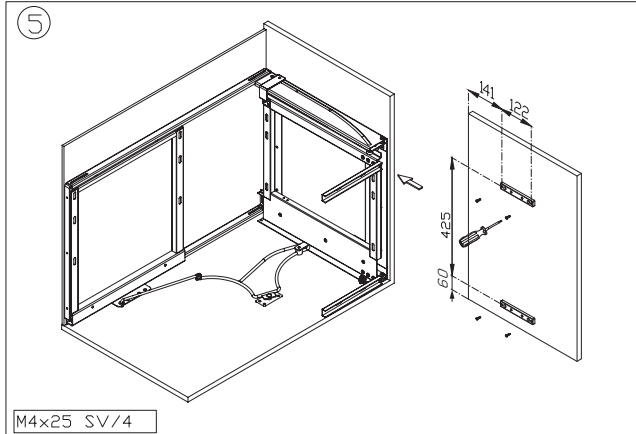
M3,5x16 SV/20



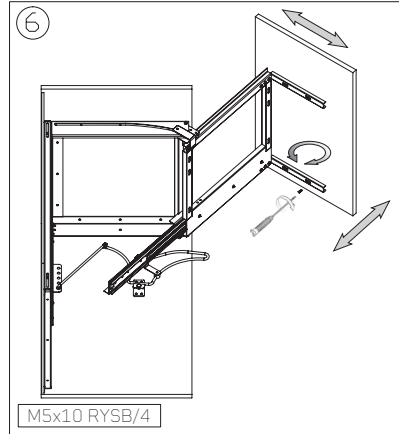
M3,5x16 SV/4



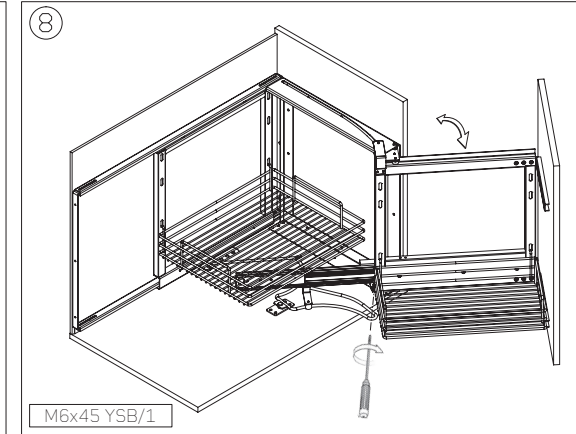
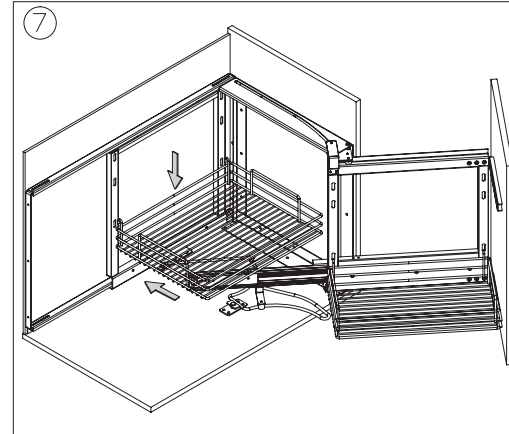
M5x10 RSB/6



M4x25 SV/4



M5x10 RYSB/4

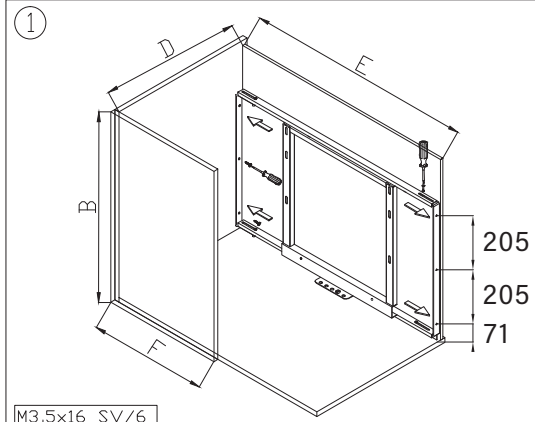


M6x45 YSB/1

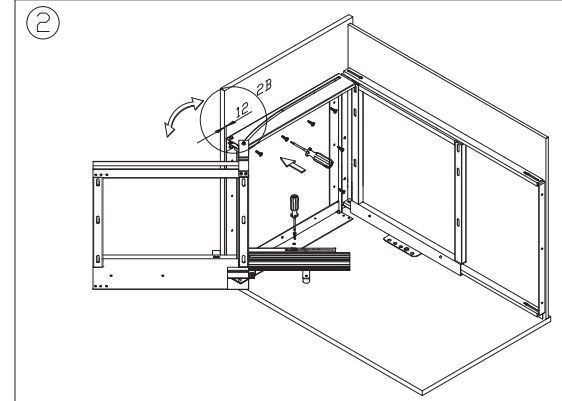
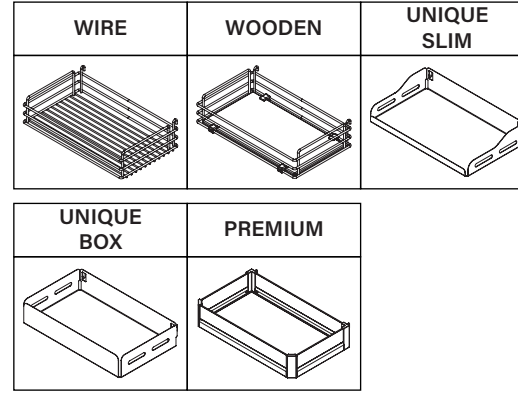
- KAPAĞA MONTE KÖRKÖŞE MEKANİZMASI MONTAJ ŞEMASI
- SECRET CORNER MECHANISM MOUNTED TO LID MOUNTING INSTRUCTIONS

(SOL)
(LEFT)

STARAX®

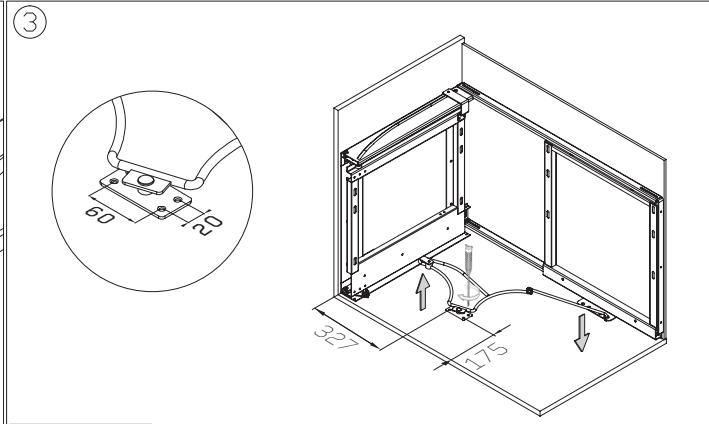
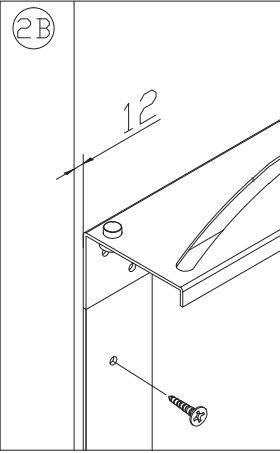
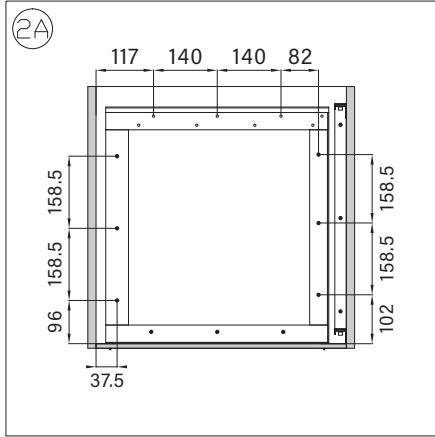


S-3001	S-3071
S-3002	S-3072
B Mini:700	Mini:700
D Mini:530	Mini:530
E 860-965	860-965
F 450	500

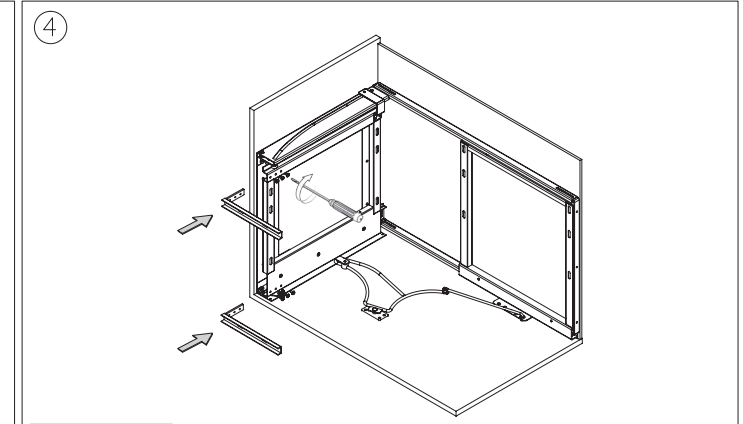


M3,5x16 SV/6

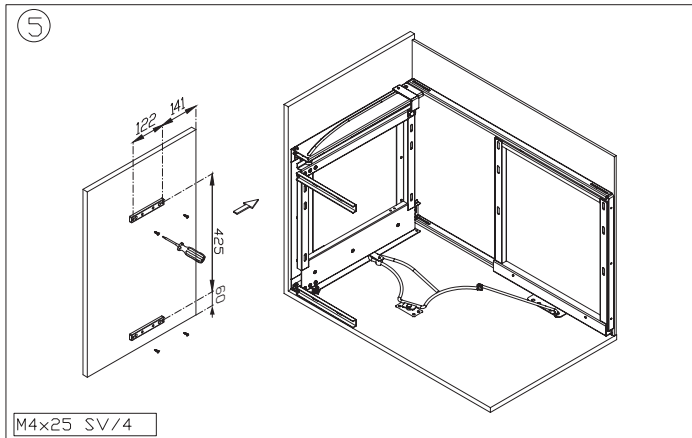
M3,5x16 SV/20



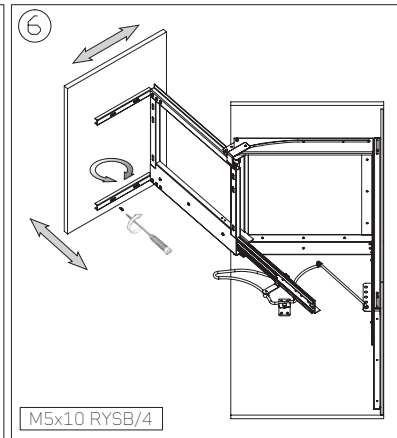
M3,5x16 SV/4



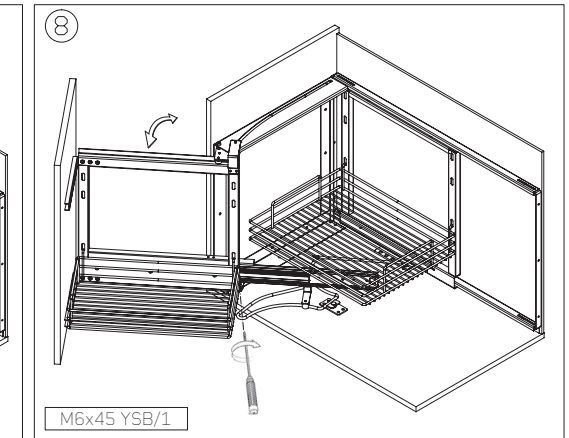
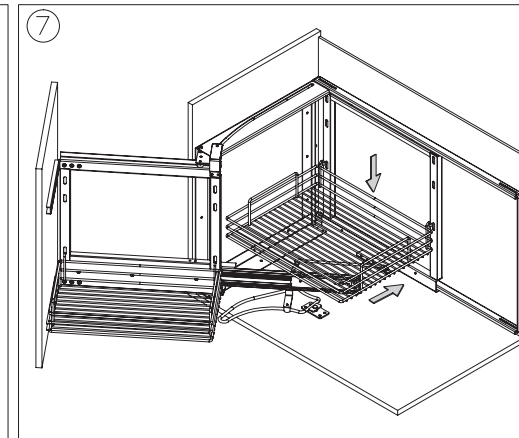
M5x10 RYSB/6



M4x25 SV/4



M5x10 RYSB/4



M6x45 YSB/1